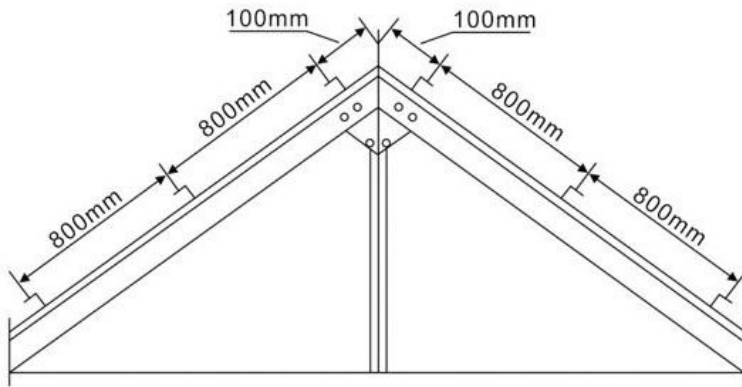
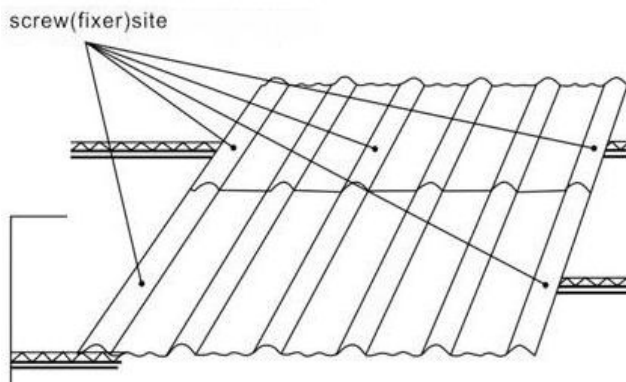


ASA / UPVC / APVC / PVC ROOF SHEET INSTALLATION GUIDE:



Installation requirements:

- the roof truss structure adopts sectional steel or wood as purlin, the purlin is required to be flat without deformation, and two purlins must be in parallel with uniform span;
 - For roof tile with thickness $\leq 2\text{mm}$, the purlin span $\leq 700\text{mm}$ is recommended;
 - For roof tile with thickness of 2.5mm , the purlin span $\leq 800\text{mm}$ is recommended;
 - For roof tile with thickness of 3.0mm , the purlin span $\leq 900\text{mm}$ is recommended;
 - For **Reinforced profile** roof tile with thickness of 2.0mm , the purlin span $\leq 1000\text{mm}$ is recommended;
 - For **Reinforced profile** roof tile with thickness of 2.5mm , the purlin span $\leq 1100\text{mm}$ is recommended;
 - For **Reinforced profile** roof tile with thickness of 3.0mm , the purlin span $\leq 1200\text{mm}$ is recommended;
- The transverse lap joint must be a complete lap jointed slope, the longitudinal lap joint length $> 200\text{mm}$;
- When fixing by self drill screw, drill a hole in advance, the aperture must be 50% larger than the screw diameter, screw and fixer can be used together, the screw must not be over-tightened, otherwise stress will occur, resulting in local crack on tile surface;



- The quantity of fix screws and plastic fixer must not be less than 5 sets per square meter of roofing tile, to ensure the roof tile structure has enough strength against the strong wind;
- The slope gradient and the impact of perennial prevailing wind should be taken into consideration for roofing tile lap joint, the roof tile arrangement sequence and pavement should be opposite to the local perennial prevailing wind direction, i.e. the exposed side lap joint of the roofing tile must be on the lee side away from the prevailing wind direction.

Notice of installation:

- Strong acid and strong alkali substances are prohibited to contact the surface;
- The roofing tile should not be over-bent,so as to avoid damages;
- The heat expansion and cold contraction of roofing tile is different from the steel bar,expansion space must be reserved,and pay attention to embedded depth otherwise the roofing tile deformation and cracking might occur;
- When installing,it is recommended to use special waterproof accessories -self drill screw and plastic fixer. especially in the eaves, plastic fixer must be used to hold down;
- It is recommended to use neutral silicone sealant and suitable gasket material to prevent water leakage.

For more detail about the installation, please feel free to contact with our Technical Support Team via Email: hongborooftile@gmail.com

